

A vertical stainless steel filtration unit is shown against a background of splashing blue water. The unit has a top cap with a handle and a label that reads "wessels company" and "GREENWOOD, INDIANA". The word "TYPHOON" is written in large, bold, black letters with a white outline across the middle of the unit. Below it, the text "Solid From Liquid Filtration System" is written in a blue, outlined font. At the bottom left, the text "MODELS TFS & TFA" is written in bold black letters.

wessels
company

TYPHOON

Solid From Liquid Filtration System

**MODELS
TFS & TFA**

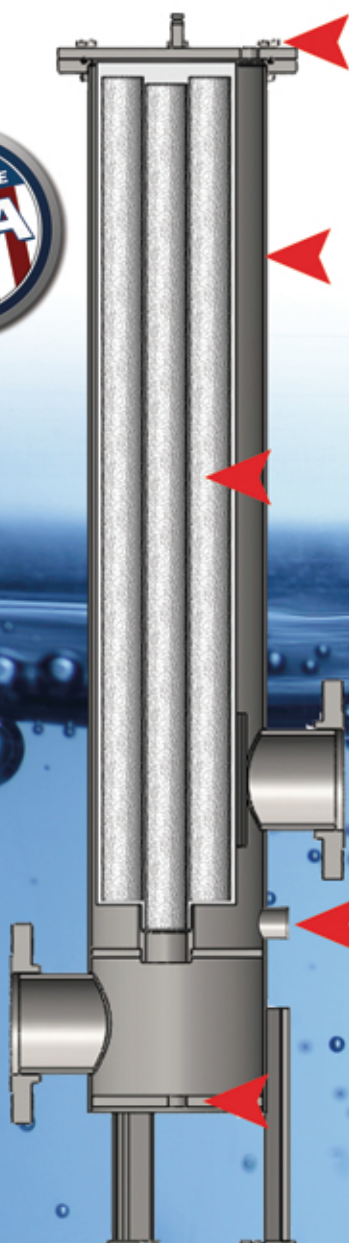
Introducing the All-New

TYPHOON

Filtration System from Wessels

The Typhoon filtration system is engineered to remove solids from liquids. It offers revolutionary filter performance due to an innovative design that utilizes flow-diverging technology to separate dense solids before filter contact. These solids accumulate outside of the filters within the unit where they can be easily blown down and removed. System water then passes through the patented, multi-path, Typhoon filter where specially designed, ultra-efficient pleat cartridges filter the water even further. These two technologies combine to create a system that provides increased dirt holding capacity, longer filter life, and decreased maintenance expenses.

FEATURES & BENEFITS



Top Lid includes plated nuts and studs for easy, secure closing, *NOT* a band-clamp design!

304 Stainless Steel bead blast-polished for increased resistance to corrosion. (316L available)

Filter Cartridges come in various micron ratings and media. Choose Platinum for optimum performance!

Flange Connections strategically placed to optimize flow patterns for maximum solid removal.

Blow-Down Valve Connection for purging heavy solids manually or automatically to extend filter life.

Drain Valve allows for total drain of filtration system fluids.

304 Stainless Steel Filter Housings (316L available)

Blast-polished for superior finish

Resistant coatings available

Lids with individual bolts for fail-safe security

Pressure gauge ports for continuous differential monitoring

Flanged system connections for easy installation

Standard Platinum filter for maximum filtration with minimized changeouts

Filter Cartridge(s) included!

Typhoon Filters are easy to install and come in a wide variety.



The Wessels Typhoon Filtration system features innovative cartridge filter technology that maximizes filter surface area while minimizing the overall cartridge size.

By combining segregated flow channels and various filter media into a single pleat pack, the Typhoon Filtration system provides increased dirt holding capacity.



SINCE 1908
wessels
company

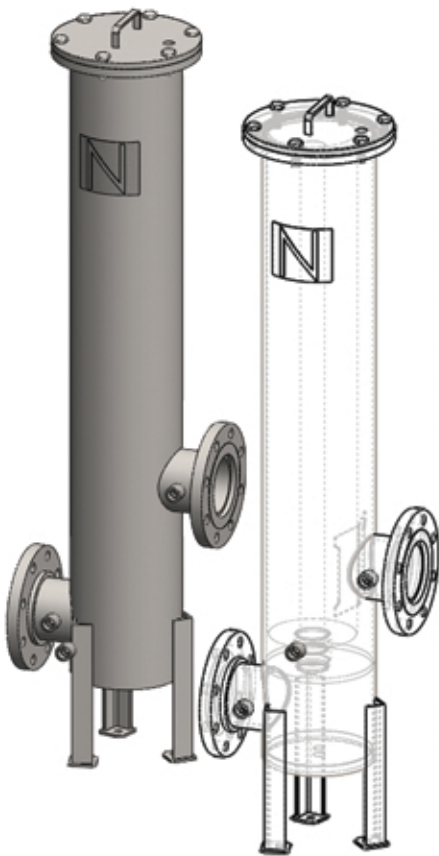
101 Tank Street, Greenwood, IN 46143

phone 317 | 888.9800

www.westank.com

The Complete Package

The Typhoon Filtration System is available in ASME (TFA) and NON-ASME (TFS) models and comes complete with either Standard pleated (S) or Platinum (P) filter cartridges.



Model	Part No.	Height	Width	Line Size	No. of Filters	Max GPM	Ship Wt.
TFS-8-4S ₁	67510801	56-1/2	8-5/8	3	4	160	120
TFS-8-1S ₂	67510802	56-1/2	8-5/8	3	1	100	120
TFS-8-1P ₁	67510803	56-1/2	8-5/8	3	1	100	120
TFS-14-16S ₁	67511401	60-1/4	14	5	16	400	175
TFS-14-3S ₂	67511402	60-1/4	14	5	3	300	175
TFS-14-3P ₁	67511403	60-1/4	14	5	3	300	175
TFS-14-1P ₂	67511404	60-1/4	14	5	1	400	175
TFS-22-42S ₁	67512201	65-1/2	22	8	42	1000	255
TFS-22-8S ₂	67512202	65-1/2	22	8	8	800	255
TFS-22-8P ₁	67512203	65-1/2	22	8	8	800	255
TFS-22-1P ₃	67512204	65-1/2	22	8	1	800	255

Carbon and 316L Stainless Available; Customer specified filter included; Maximum Pressure=125 PSIG

Filter Types: Standard Pleated: S₁=2 1/2" dia.; S₂=6 1/4" dia.
 Platinum: P₁=6 1/4" dia.; P₂=12 3/4" dia.; P₃=20" dia.
 Various material and micron sizes available.

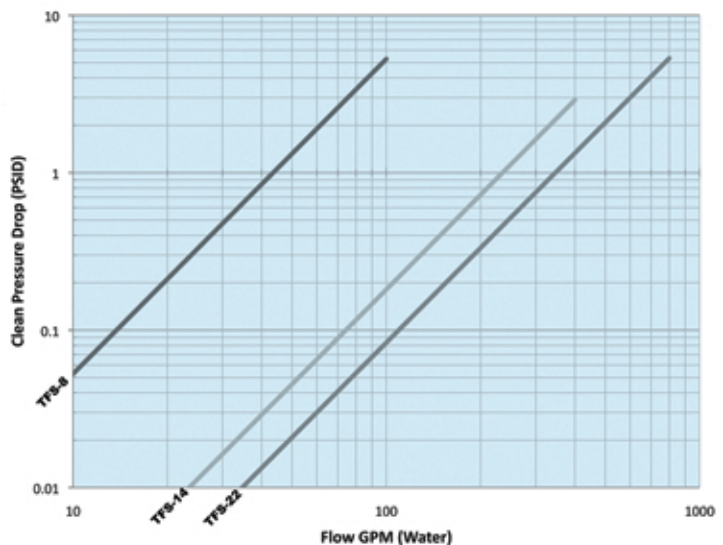
THE PLATINUM ADVANTAGE



The patented Platinum Filter design uses segregated flow channels and flow chambers to maximize the effective surface area of the pleated filter media cartridge. Combining this design with the technique of pleating several different filter media together in a single pleat pack maximizes dirt holding capacity.

With a recommended flow rate up to 800 GPM, the Wessels PLATINUM filtration series is the solution to achieving optimum performance with minimum filtration costs.

TYPHOON PERFORMANCE



Graph depicts flow characteristics for a newly installed Typhoon Series system using a clean, 20 micron Platinum filter.



Model TFA comes ASME certified, meeting rigorous standards of construction and insurance compliance. Non-ASME also available (Model TFS).

Disclaimer: Portions of the information in this brochure have been obtained from external sources and are considered factual. Flow rates, temperature ratings, chemical resistance, and system pressures can be influenced by several variables. Wessels Company is not liable for the accuracy or completeness of the information published in this brochure. Prospective customers should perform their own evaluations to verify whether or not the system is appropriate for intended use.

OTHER PRODUCTS BY **wessels** company

Thermal Expansion Vessels



- Fixed Diaphragm Tanks
- Replaceable Bladder Tanks
- ASME and Non-ASME in stock

Wess-Vent Air & Dirt Separators



- Coalescing Media Separators
 - Up to 36" available
 - ASME standard in stock

Hydro-Pneumatic Vessels



- Fixed Diaphragm Tanks
- Replaceable Bladder Tanks
- ASME and Non-ASME in stock

Air Elimination Equipment



- Tangential Air Separators
 - Inline Air Purgers
 - In stock

Glycol Make-Up Packages



- Glymatic Package
- Glycol Make-Up Package
- In stock

Hydronic Accessories



- Chilled Water Buffer Tanks
- Primary/Secondary Headers
- Chemical Pot Feeder Tanks
 - Flash Tanks
 - Blowdown Tanks

Custom Vessels



- Stainless Steel Tanks
 - Glass-lined
 - Epoxy-lined
 - Cement-lined
- Rubber-lined
 - Galvanized
 - Insulated
 - Up to 25,000 gallons

Storage Tanks



- Insulated and Jacketed Tanks
- Glass-lined, Epoxy-lined, and Non-jacketed Tanks
- ASME in stock

Shock & Surge Vessels



- ASME Shock & Surge Tanks
- Fire protection on municipal engineered vessels
- Bladder and Epoxy-lined designs available

Severe Service Products



- All models available in stainless steel
 - Purgers
 - Air Purgers
 - Air Separators
- Compression Tanks
 - Replaceable Bladder Tanks
 - Epoxy-lined designs available

Hydronic Expansion Vessels



- Fixed Diaphragm Tanks
- Replaceable Bladder Tanks
- Compression Tanks
- ASME and Non-ASME in stock