

SINCE 1908  
**wessels**  
 company

**SUBMITTAL**

**N-SERIES**

HYDRONIC EXPANSION TANKS

Models: N-15 thru N-160V

Submittal Sheet No. A-1101A

Date: 4/16

Job Name _____	Submitted By _____	Date _____
Location _____	Approved By _____	Date _____
_____	Order No. _____	Date _____
Engineer _____	Notes _____	
Contractor _____	_____	
Sales Rep. _____	_____	

**Description**

Wessels N-Style tanks are non-ASME diaphragm type pre-charged expansion tanks specifically designed for critical protection of hydronic heating systems. The tank is designed for installation to accept expanded hot boiler water, keeping system pressures below relief valve settings. The water is contained in a steel water reservoir with a double-clamped diaphragm separating the stored expanded water from the vital air cushion.

**Construction**

Shell: Carbon Steel  
 Diaphragm: Double Clamped Butyl  
 System Connection: Carbon Steel  
 Finish: Silver Powder Coat

**Performance Limitations**

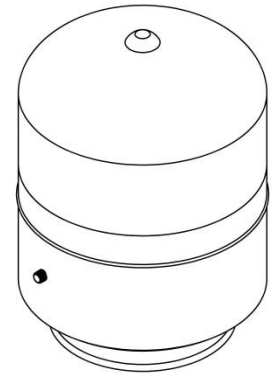
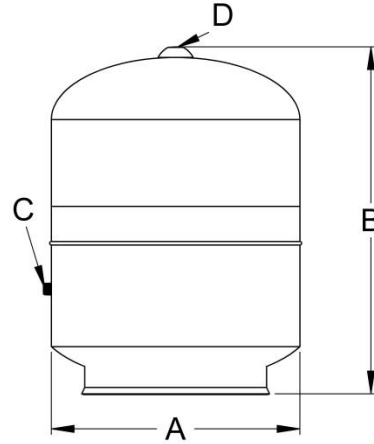
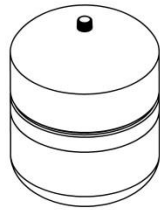
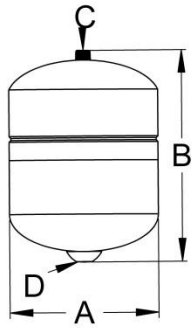
Maximum Design Temperature: 240°F  
 Maximum Design Pressure: 150 PSIG

Model Number	Part Number	Tank Volume (Gallons)	Acceptance Volume (Gallons)	Tagging Information	Quantity
N-15	33010015	2.1	1		
N-30	33010030	4.8	3		
N-60	33010060	6.3	3.9		
N-90	33010090	13.2	8.2		
N-40V	33010140	21.2	13.1		
N-60V	33010160	39.7	24.8		
N-90V	33010190	52.9	32.8		
N-110V	33011110	66.1	41		
N-160V	33011260	79.4	49.2		

**Typical Specification**

Furnish and install, as shown on plans, a \_\_\_\_\_ gallon \_\_\_\_\_" diameter X \_\_\_\_\_" (high) pre-charged steel expansion tank with heavy-duty butyl bladder. The tank shall have NPT system connections and a 0.302"-32 charging valve connection (standard tire valve) to facilitate the on-site charging of the tank to meet system requirements.

Each tank shall be Wessels model number N-\_\_\_\_\_ or approved equal.



N-15 thru N-90

N-40V thru N-160V

**Dimensions & Weights**

Model Number	Dimensions In Inches				Approx Shipping Weight (lbs)
	A	B	System Connection	Charging Valve	
			C	D	
N-15	7.9	10.8	1/2	0.302" -32NC	5
N-30	10.6	13.7			9
N-60	11.8	15.4			14
N-90	15	21.1			23
N-40V	17.7	23.6	1	0.302" -32NC	33
N-60V	19.7	35.2			60
N-90V	23.6	33.9			81
N-110V	24.8	39.2			90
N-160V		44.7			106

**Notes**

- Tanks are factory pre-charged at 12 psi and field adjustable.
- Models N-40V thru N-160V will be provided with a stand ring.