

SINCE 1908  
**wessels**  
 company

SUBMITTAL

**FXA-HP-SERIES**

WATER WELL & PRESSURE BOOSTER  
 EXPANSION TANKS

Models: FXA-1000-HP to FXA-15000-HP

Submittal Sheet No. C-1008B Rev. 2 1/28/2019

Job Name _____	Submitted By _____	Date _____
Location _____	Approved By _____	Date _____
_____	Order No. _____	Date _____
Engineer _____	Notes _____	_____
Contractor _____	_____	_____
Sales Rep. _____	_____	_____

**Description:**

Wessels patented type FXA-HP (High Pressure) tanks are ASME replaceable bladder type pre-charged water well & pressure booster expansion tanks for commercial and industrial well and water systems, booster systems, or other potable water applications. They are designed to deliver water under pressure between pump cycles to provide sufficient flow to meet demands. The water is contained in a butyl bladder. All FXA hydro-pneumatic tanks can be installed vertically or horizontally. Products comply with NSF/ANSI Standard 61.

**Construction:**

Shell: Carbon Steel  
 Heads: Carbon Steel  
 Exterior: Carbocoat 140 - Harvester Red  
 Bladder: Heavy Duty Butyl  
 FDA Approved  
 NSF 61 Listed  
 System Connection: Epoxy lined

**Design Parameters:**

Maximum Design Pressure: \_\_\_\_\_  
 Temperature Range: -20°F to 240°F

Model Number	Part Number 150 PSI	Part Number 200 PSI	Part Number 250 PSI	Part Number 300 PSI	Tank Volume (Gallons)	Tagging Information	Quantity
FXA-1000-HP	21021000	21041000	21051000	21061000	264		
FXA-1200-HP	21021200	21041200	21051200	21061200	317		
FXA-1400-HP	21021400	21041400	21051400	21061400	370		
FXA-1600-HP	21021600	21041600	21051600	21061600	422		
FXA-2000-HP	21022000	21042000	21052000	21062000	528		
FXA-2500-HP	21022500	21042500	21052500	21062500	660		
FXA-3000L-HP	21023000	21043000	21053000	21063000	792		
FXA-3000S-HP	21023001	21043001	21053001	21073001	792		
FXA-4000-HP	21024000	21044000	21054000	21064000	1056		
FXA-5000-HP	21025000	21045000	21055000	21065000	1320		
FXA-7500-HP	21027500	21047500	21057500	21067500	1980		
FXA-10000-HP	21029999	21049999	21059999	21069999	2640		
FXA-15000-HP	21520000	21540000	21550000	21560000	3963		

**Typical Specification**

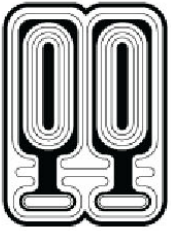
Furnish and install, as shown on plans, a \_\_\_\_\_ gallon \_\_\_\_\_" diameter X \_\_\_\_\_" (high) pre-charged steel water well & pressure booster expansion tank with replaceable heavy-duty butyl bladder. The tank shall have NPT epoxy lined system connections and a 0.302"-32 charging valve connection (standard tire valve) to facilitate the on-site charging of the tank to meet system requirements, a pressure gauge, and bladder integrity monitor. The tank must be constructed in accordance with most recent addendum of Section VIII Division 1 of the ASME Boiler and Pressure Vessel Code. Products comply with NSF/ANSI Standard 61.

Each tank shall be Wessels model number FXA-\_\_\_\_\_HP or approved equal.



SINCE 1908  
**wessels**  
 company

101 Tank Street Greenwood, IN 46143  
 P: 317-888-9800 F: 317-865-7411  
 www.westank.com



SINCE 1908  
**wessels**  
 company

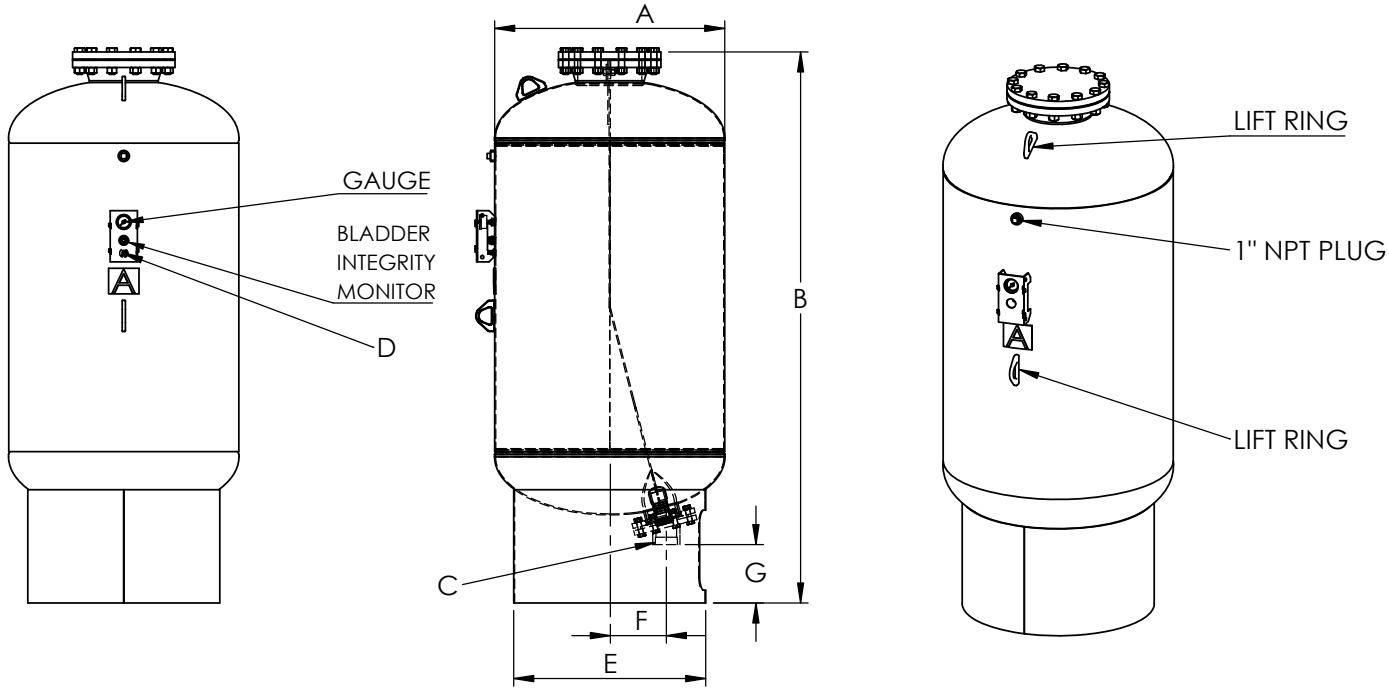
SUBMITTAL

# FXA-HP-SERIES

WATER WELL & PRESSURE BOOSTER  
 EXPANSION TANKS

Models: FXA-1000-HP to FXA-15000-HP

Submittal Sheet No. C-1008B Rev. 2 1/28/2019



FXA-1000-HP TO FXA-15000-HP

## Dimensions & Weights:

Model Number	Dimensions in Inches							Approx. Shipping Weight (lbs)			
	A	B	System Connection C	Charging Valve D	E	F	G	150 PSI	200 PSI	250 PSI	300 PSI
FXA-1000-HP	36	87	3	0.302-32NC	30	8	9 1/8	596	698	830	978
FXA-1200-HP		98 1/2					676	905	1118	1408	
FXA-1400-HP		110 1/2					756	1107	1330	1670	
FXA-1600-HP	48	84	4		42	9	9 1/8	1222	1413	1713	2105
FXA-2000-HP		96					1399	1643	2026	2352	
FXA-2500-HP		110					1548	1935	2352	2906	
FXA-3000L-HP	60	133	4		54	10	9	1890	2198	2782	3444
FXA-3000S-HP		93					2371	2694	2965	3487	
FXA-4000-HP		115					2586	3291	3736	4386	
FXA-5000-HP	72	138	4		60	11	9 7/8	3041	3858	4485	5305
FXA-7500-HP		140					4392	5491	6583	7614	
FXA-10000-HP		172					5437	6796	8068	9397	
FXA-15000-HP		243				8	7851	9814	12030	13564	

### Notes:

- Tanks are factory pre-charged at 40 psig and field adjustable.
- California code-sight glass is available upon request.
- Tanks installed horizontally must have the system connection below the horizontal centerline of the tank.
- Mounting clips are available upon request.
- U.S. Patent No. 8,633,825 B2



SINCE 1908  
**wessels**  
 company

101 Tank Street Greenwood, IN 46143  
 P: 317-888-9800 F: 317-865-7411  
 www.westank.com